 Wireless

 Mobile Access

 TouchGo



# dormakaba c-lever pro

## Electronic door lock

### Security and design in one

The electronic door furniture c-lever pro offers elegant design and high functionality.

Control your access precisely for an almost unlimited number of users to the right areas at the right times. You set access rights and can change them quickly and flexibly, in standalone, remote or online mode. Furthermore, you can grant access rights to smartphones so that they may be used as access media at the door.

For outside areas or doors with increased security requirements, the c-lever pro not only offers burglary and fire protection, but also provides solutions for emergency exits and escape routes. The high-quality materials meet the most demanding requirements in relation to robustness, weather resistance and security.

### State-of-the-art technology

The c-lever pro is part of our comprehensive standalone portfolio dormakaba evol. It supports the latest RFID technologies and is available with the wireless function: access rights are transmitted from your PC to the door components, wirelessly and in real time. This offers enormous advantages in terms of security, convenience, programming and maintenance.

If you don't want to search for your keys, choose the TouchGo option. The door furniture detects whether the user carries a valid transponder on his person and if so, allows the door to be opened.

### Ready for you to use

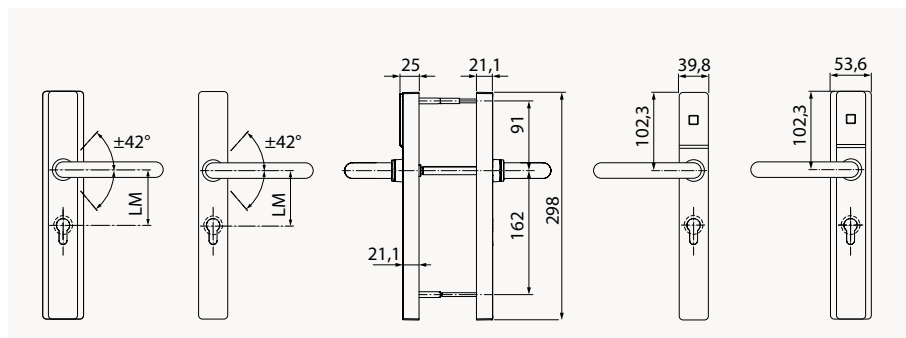
Its large variety of options makes the c-lever pro suitable for almost every door, both inside and outside. These doors might be the access points to commercial or administration buildings, retirement homes, hospitals, universities or any area worth protecting, like server rooms or storage facilities.

### Advantages at a glance:

- Contribution to sustainability: manufactured from durable materials using resource-efficient design, allowing updates and repairs
- The range offers a large variety of combinable products in the same high-quality design
- Fire protection: fulfils requirements for use with smoke and fire doors
- Suitable for outside and security doors (burglary resistant and weather protection)
- Door monitoring with the wireless function
- TouchGo function: your hands are free, the transponder stays in your pocket
- Supports Mobile Access: receive your access right on your smartphone using the dormakaba mobile access app



# Features



c-lever pro, standard version. Type 2621 (narrow) and 2622 (wide)

## Sophisticated design

You can operate the door easily: whether it's with a card, key fob, a key with RFID or a smartphone – the green signal of the digital lighting unit will appear after presenting your access medium, and you can open the door with the lever handle as usual.

## Programming

The c-lever pro is easy to program and suitable both for individual doors and as an element of a large access system. Depending on the selected features and administration software, different programming options are available: For example, access rights may be transmitted either remotely from your PC, with the programming device, via App or with the programming card directly to the electronic door lock.

## Essential features

The device software supports all dormakaba system solutions and its functions also include:

- Number of access media: - with whitelist up to 4,000  
- with CardLink or AoC practically unlimited
- Internal clock and configurable time profiles
- Time-limited assignment of access rights (validation)
- Saving of last 2,000 events (can be disabled)

## Easy to install

Installation is carried out indoors or in outside areas protected against weather directly on doors made of wood, plastic or metal. Usually, you can continue to use your existing lock. Due to the standalone operation no cables need to be laid.

### Please note:

The range of functions of the product depends on the system environment chosen. For further details and order information, please check the relevant dormakaba catalogue or system description.

## Our Sustainability Commitment

dormakaba is committed to foster a sustainable development along our entire value chain.

In order to give quantified disclosures of a product's environmental impact and its ecological footprint, dormakaba provides Environmental Product Declarations (EPDs). Please download the EPD and read more about our sustainability commitment [here](#) or use the QR code provided.



## Technical data

### Supported Standards

- LEGIC (advant & prime)
- MIFARE (DESFire & Classic)
- OSS-SO Version 2021-06 (LEGIC advant, MIFARE DESFire)
- NFC - Near Field Communication (with Android smart phones)
- Bluetooth® Low Energy
- IEEE 802.15.4 (with wireless option)

### Designs

- Plate: choice of wide or narrow
- Centre distance: 55 to 105 mm (depending on profile)
- Euro profile, Swiss round profile, Scandinavian or Australian oval profile

### Versions

- Black or white cover
- Choice of lever handle designs
- Available functions: TouchGo, Wireless and Mobile Access
- Available options: S-module, button function

### Dimensions (W x H x D)

- Narrow plate: 39.8 x 298 x 21 mm
- Wide plate: 53.6 x 298 x 21 mm
- Minimum backset 35 mm, 25 mm with offset lever handles

### Power supply

- 2 batteries 1.5 V AA L91, FR6 or via the S module
- For TouchGo, together with filter box

### Environment/service life

- Temperature: -25 °C to +70 °C
- Protection class: IP55
- Battery life at 20 °C: up to 150,000 cycles or up to 3 years

### Certificates

- Building hardware: EN 16867: 4 7 - B 2 4 D 0 0
- Fire protection: DIN 18273 (tested according to EN 1634-1)
- Emergency exit: EN 179 (in combination with appropriate lever handles and locks)
- Panic doors: EN 1125 (in combination with approved panic push bars)

### Environmental product declaration: EPD

- Declaration number: [EPD-DOR-20210011-CCA1-EN](#)
- Under ISO 14025 and EN 15804+A2
- Publisher and declaration holder: Institut Bauen und Umwelt e.V.

Subject to technical changes without prior notice. Version 03/2022. © 2022 dormakaba.

**Any questions? We would be happy to advise you.**